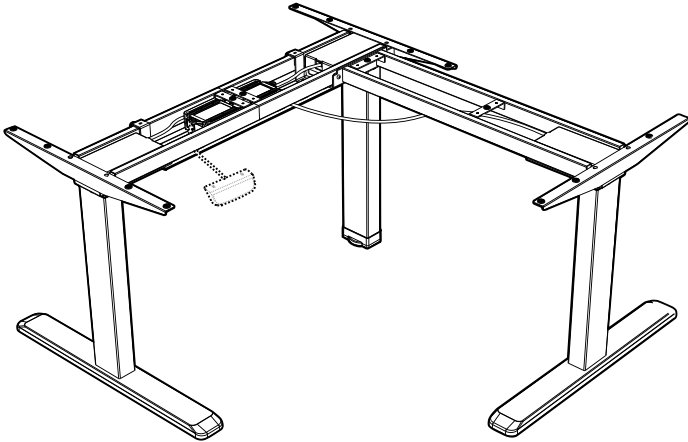




Black Electric Multi Motor Corner Desk Frame

Instruction Manual



SKU: DESK-V133E



Scan the QR code with your mobile device or follow the link for helpful videos and specifications related to this product.

<https://vivo-us.com/products/desk-v133e>

GET IN TOUCH | Monday-Friday from 7:00am-7:00pm CST



help@vivo-us.com



www.vivo-us.com
Chat live with an agent!



309-278-5303

⚠️ WARNING!

If you do not understand these directions, or if you have any doubts about the safety of the installation, please call a qualified technician. Check carefully to make sure there are no missing or defective parts. Improper installation may cause damage or serious injury. Do not use this product for any purpose that is not explicitly specified in this manual and do not exceed weight capacity. We cannot be liable for damage or injury caused by improper mounting, incorrect assembly, or inappropriate use.

⚠️ ELECTRICAL SAFETY INSTRUCTIONS

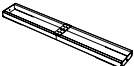
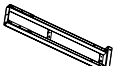

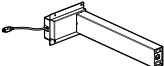
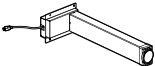


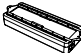


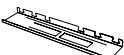
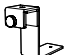

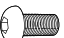









THIS PRODUCT IS POWERED BY ELECTRICITY. IN ORDER TO AVOID BURNS, FIRE AND ELECTRIC SHOCK, PLEASE READ THE FOLLOWING INSTRUCTIONS CAREFULLY.

- DO NOT CLEAN PRODUCT WHILE POWER IS CONNECTED.
- DO NOT DISASSEMBLE OR REPLACE COMPONENTS WHILE POWER IS CONNECTED.
- NEVER OPERATE THE SYSTEM WITH A DAMAGED CORD OR PLUG. PLEASE CONTACT YOUR SELLER TO REPLACE DAMAGED PARTS.
- NEVER OPERATE SYSTEM IN DAMP ENVIRONMENTS OR IF ANY ELECTRICAL COMPONENTS HAVE MADE CONTACT WITH LIQUIDS.
- ALTERATIONS OF THE GIVEN POWER UNIT ARE NOT ALLOWED.
- OUTDOOR USE IS PROHIBITED.

⚠️ WARNING: CHOKING HAZARD

SMALL PARTS - NOT FOR CHILDREN UNDER 3 YEARS. ADULT SUPERVISION IS REQUIRED.

PACKAGE CONTENTS

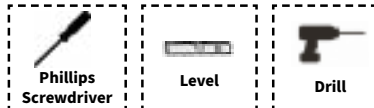
 A (x1) Telescopic Crossbar	 B (x1) Extension Crossbar	 C (x3) Side Bracket	 D (x2) Lifting Column
 E (x1) Corner Column	 F (x2) Foot	 G (x1) Fixing Plate	 H (x1) Control Unit
 I (x1) Power Cord	 J (x1) Motor Extension Cable	 K (x1) Cable Tray	 L (x2) Hook
 M (x1) Control Panel			
 S-A (x12) M6x10	 S-B (x10) M6x16	 S-C (x16) 7/8" Screw	 S-D (x2) 3/4" Screw
 S-E (x2) M4x5 Flat Head Bolt	 S-F (x4) M4x5	 S-G (x3) Cable Clip	 S-H (x16) Anti-Vibration Pad
 S-I (x1) Allen Wrench	 S-J (x3) Soft Pad		

⚠️ WARNING PINCH POINT

DO NOT place hands on or near support bars. Moving parts can crush and cut. Pinch points are created during lifting and lowering the work surface. Failure to follow these instructions may result in serious personal injury.



TOOLS NEEDED



DO NOT EXCEED WEIGHT CAPACITY.
Failure to do so may result in serious injury.

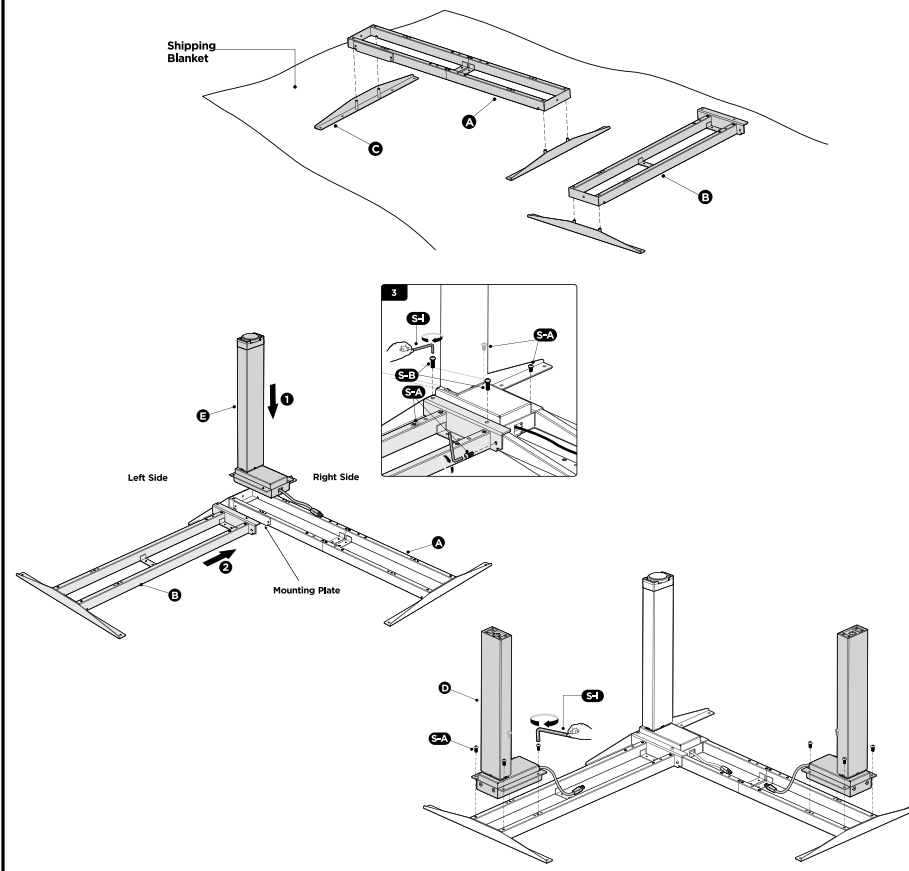


ASSEMBLY STEPS

STEP 1

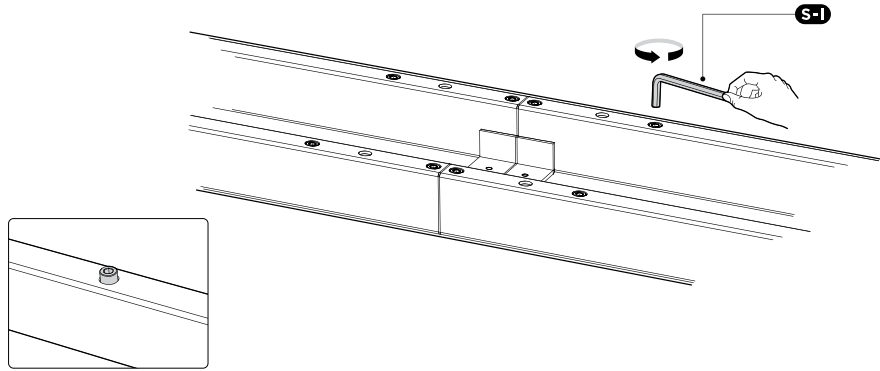
Place the side brackets (**C**) upside down on a flat surface, then place telescopic crossbar (**A**) and extension crossbar (**B**) over the brackets as shown, making sure the screw posts on the brackets fit into the holes in the crossbars.

Place the corner column (**E**) onto the telescopic crossbar (**A**) at the corner connecting end (additional mounting plates on sides of corner end), and align the holes on the end of the extension crossbar (**B**) with the holes on the column and telescopic crossbar. Secure using x2 M6x16 bolts (**S-B**) through the stacked crossbar and column holes, and x4 M6x10 bolts (**S-A**) through the side holes and remaining column holes. Place the lifting columns (**D**) at each end of the assembled telescopic crossbars and secure with x8 M6x10 bolts. Tighten bolts with the Allen wrench (**S-I**).



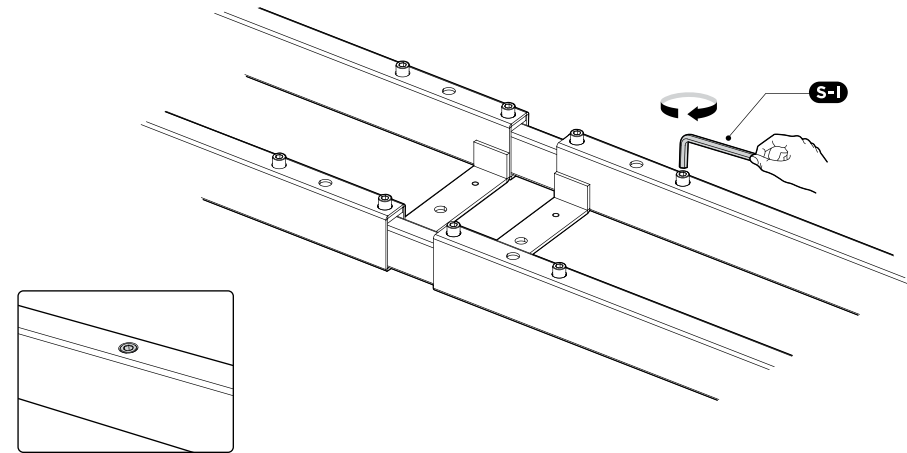
STEP 2

Loosen all eight set screws on the telescopic crossbar **(A)** and all four set screws on the extension crossbar **(B)** using the Allen wrench **(S-I)**.



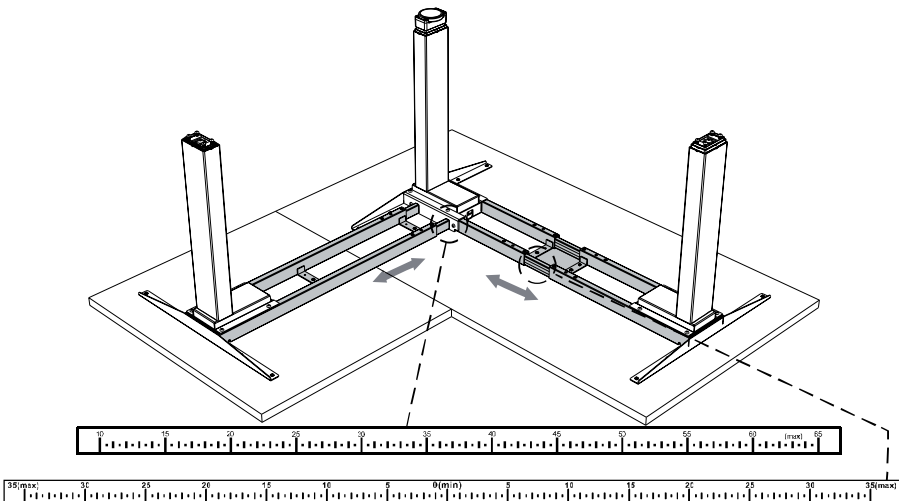
STEP 4

Tighten all set screws with the Allen wrench **(S-I)**.



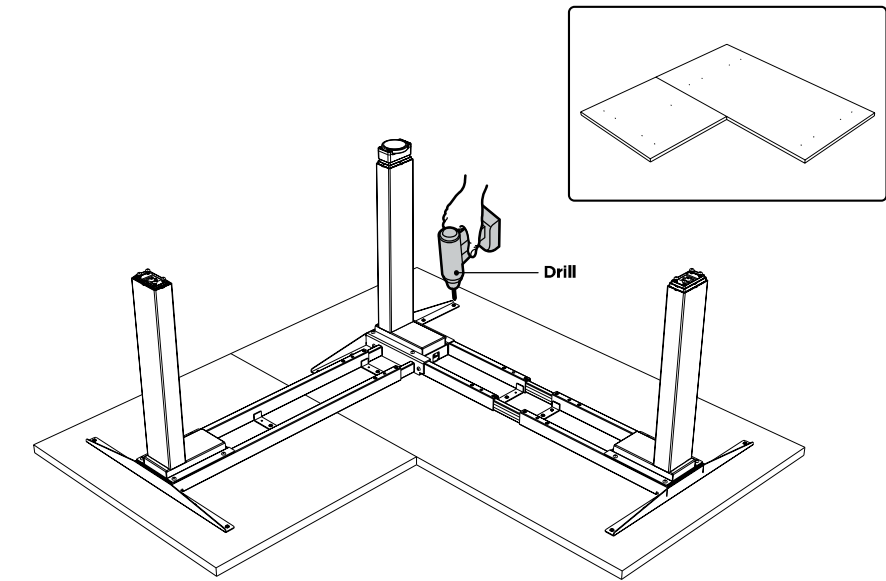
STEP 3

Place tabletop upside down on the floor. Place frame assembly upside down on tabletop, and adjust the crossbars to the appropriate length.



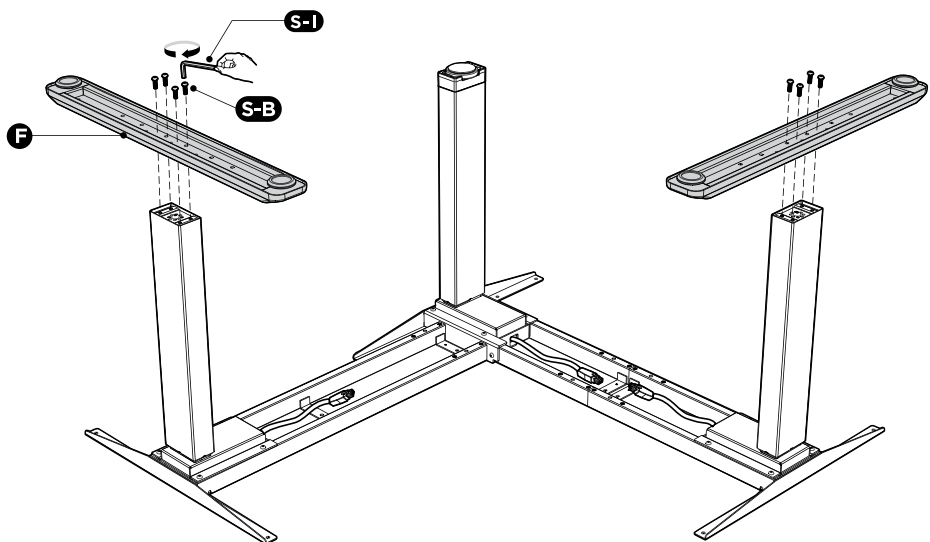
STEP 5

Using the side brackets **(C)** as a guide, drill pilot holes into the tabletop using a 3/32" drill bit.



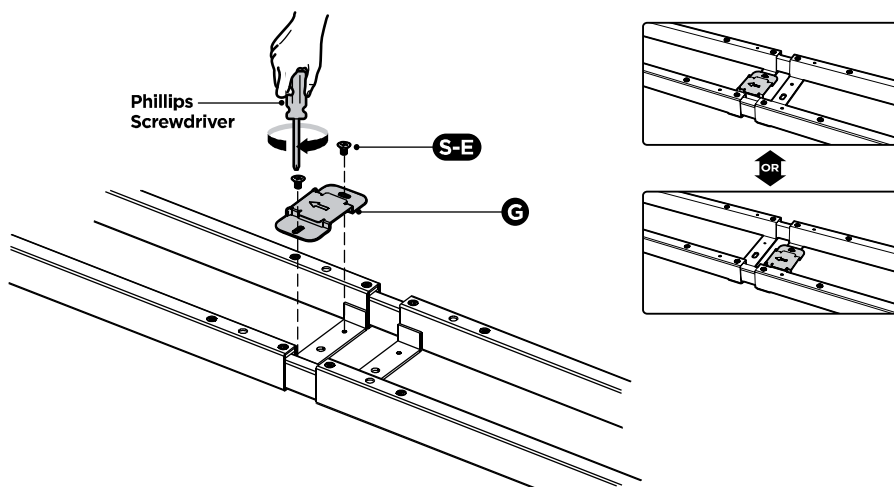
STEP 6

Place the feet (**F**) on the side columns as shown. Insert M6x16 bolts (**S-B**) into the four mounting holes on each foot and tighten with Allen wrench (**S-I**).



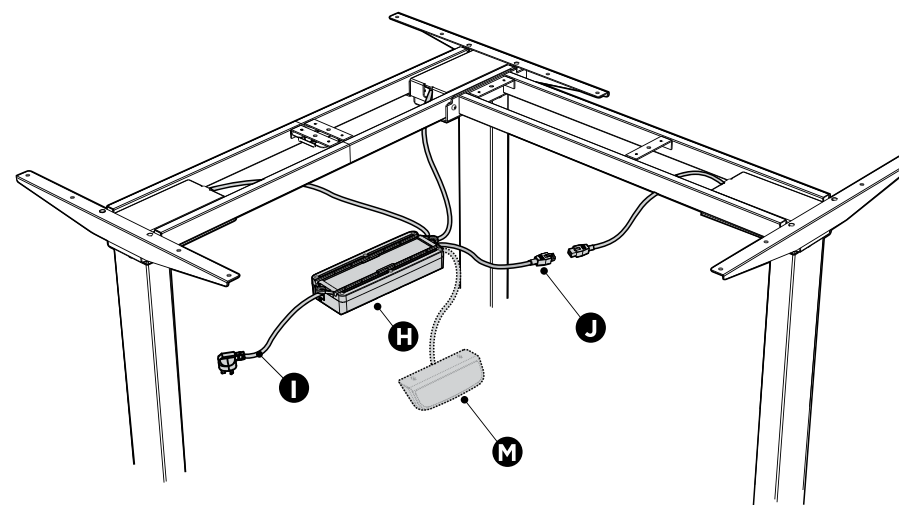
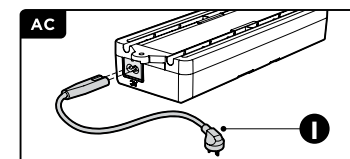
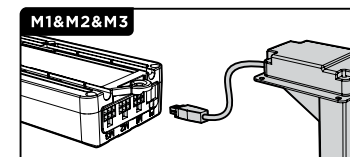
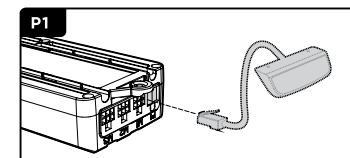
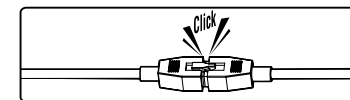
STEP 7

Attach the fixing plate (**G**) to the frame using M4x6 flat head bolts (**S-E**). Tighten screws with a screwdriver.



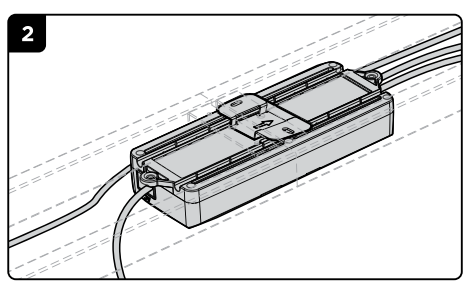
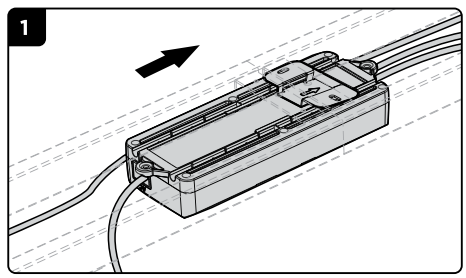
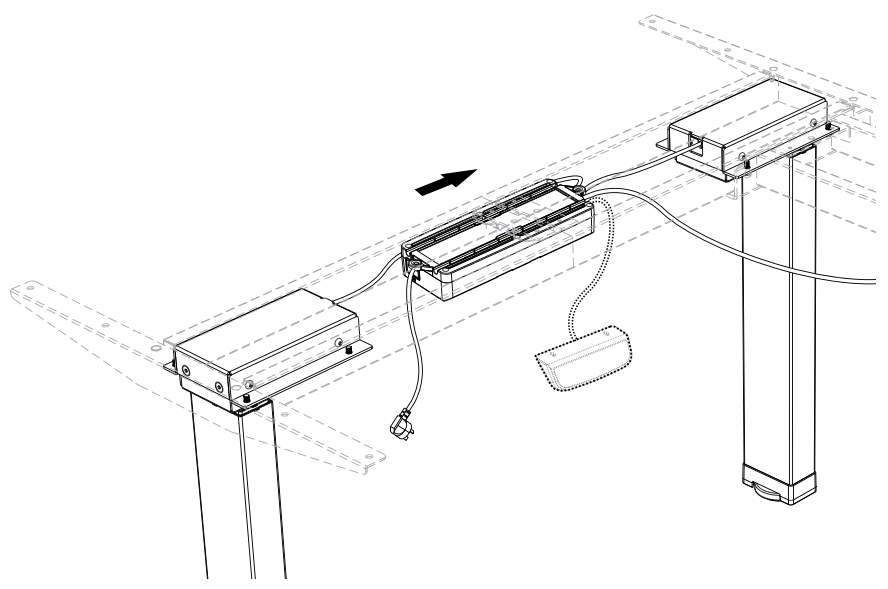
STEP 8

Connect control panel (**M**), lifting columns (**D**) and power cord (**I**) to the control unit (**H**). If needed, use the extension cord (**J**) to connect the farthest lifting column.



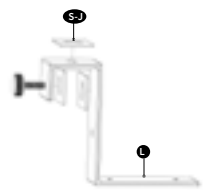
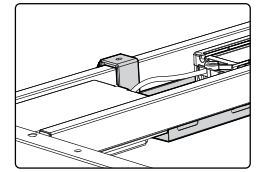
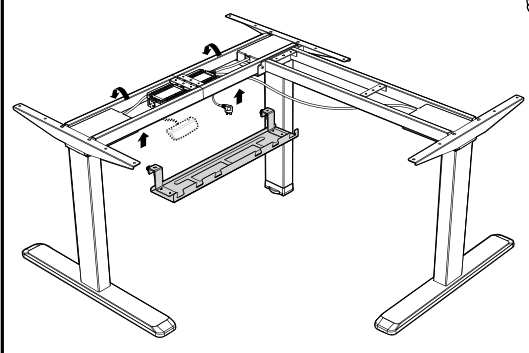
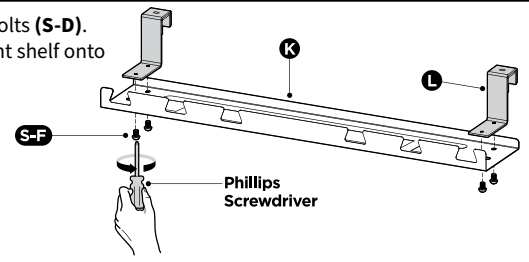
STEP 9

Slide the control unit (H) onto the fixing plate (G).



STEP 10

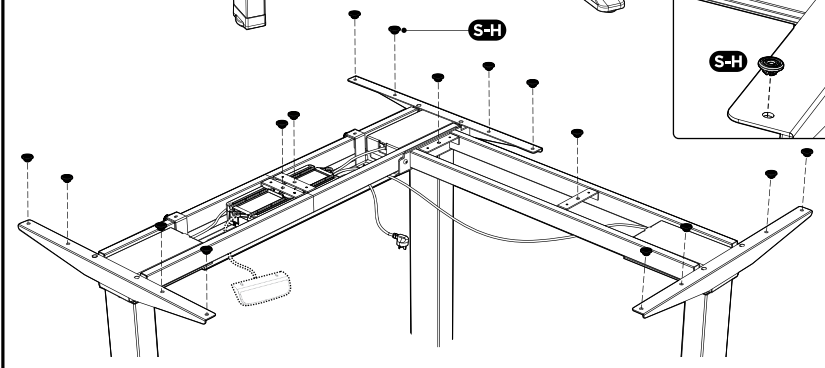
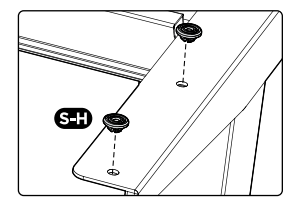
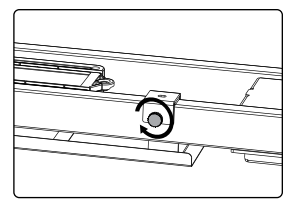
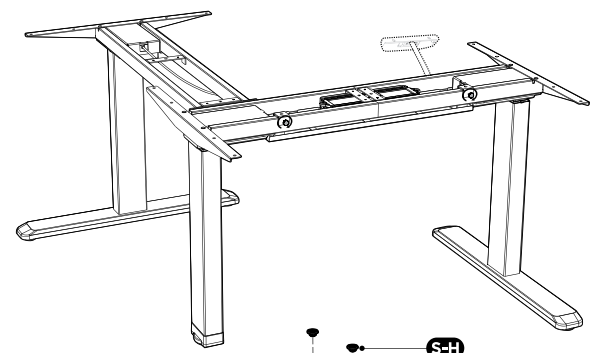
Fix the hooks (L) to the shelf (K) with M4x6 bolts (S-D). Tighten all bolts. Hang the cable management shelf onto the frame as shown.



OPTIONAL: Remove paper backing from soft pads (S-J) and stick them to the inside and top of hooks (L).

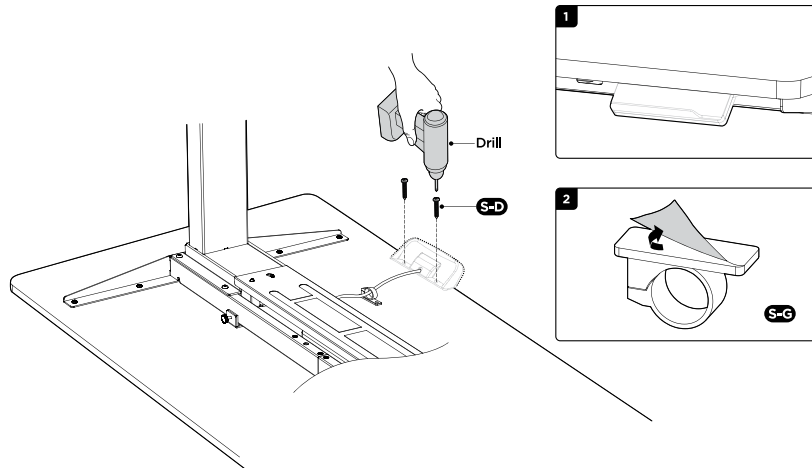
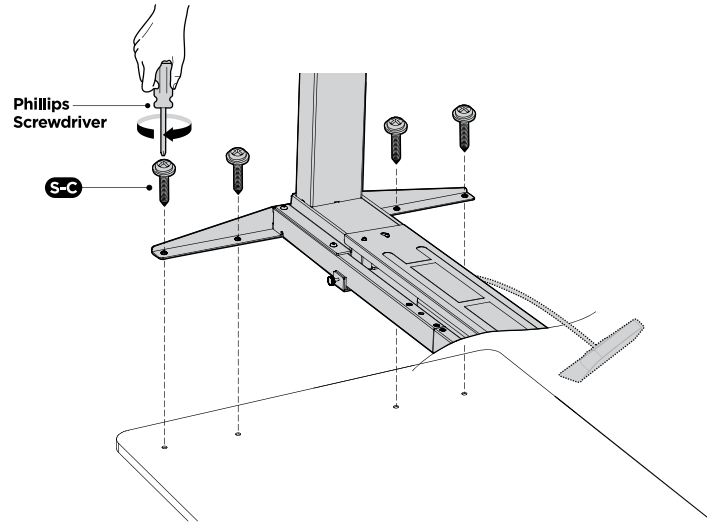
STEP 11

Tighten thumbscrews on the hooks to secure the shelf. Press anti-vibration pads (S-H) into desktop mounting holes.



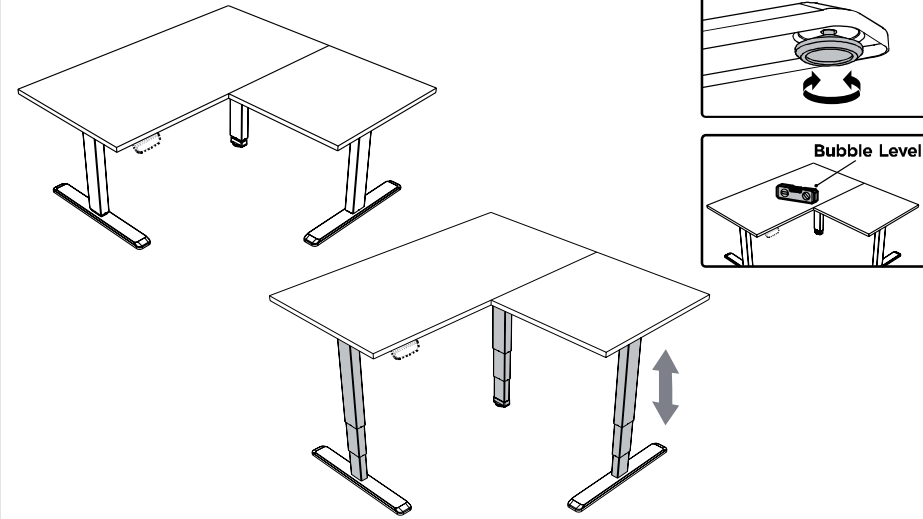
STEP 12

Attach the desktop with 7/8" screws (**S-C**) using a Phillips screwdriver. Place the control panel (**M**) at the desired location and mark drilling locations with a pencil. Drill 5/8" (16mm) deep pilot holes under the desktop with a 5/64" (or 2mm) drill bit. Attach the control panel to the desktop using the 3/4" screws (**S-D**). Add the cable clips (**S-G**) to organize cables if needed.



STEP 13

Connect the power cable to a wall outlet to power on desk for operation. Each foot pad can be adjusted independently for fine tuning. Slightly turn the foot pad to lower or raise the base. Use a level to ensure the desktop is even.



CAUTION!



Do not exceed desk weight limit.



Keep area of vertical motion free of obstacles.



Keep weight on desk balanced for correct operation and longer life of components.



Leave enough slack in cables to allow for full range of vertical motion.

Failure to follow these instructions may result in property damage and/or personal injury.



Love your new VIVO setup and want to share?
Tag us in your photo! **@vivo_us**

LAST UPDATED: 05/10/2021
REV.3.1



Open **Monday - Friday 7:00am - 7:00pm** CST,
our dedicated support team can offer immediate assistance with rapid response times. If any parts are received damaged or defective, please contact us. We are happy to replace parts to ensure you have a fully functioning product.



help@vivo-us.com

AVG. RESPONSE TIME (*within office hrs*): **1HR 8M**

- 23% within < 15m
- 38% within < 30m
- 61% within < 1hr
- 83% within < 2hr
- 92% within < 3hr



www.vivo-us.com
Chat live with an agent!

AVG. RESOLUTION TIME (*within office hrs*): **< 15 M**



309-278-5303

AVG. RESOLUTION TIME (*within office hrs*): **5M 4S**

FOR MORE VIVO PRODUCTS, CHECK OUT OUR WEBSITE AT: www.vivo-us.com